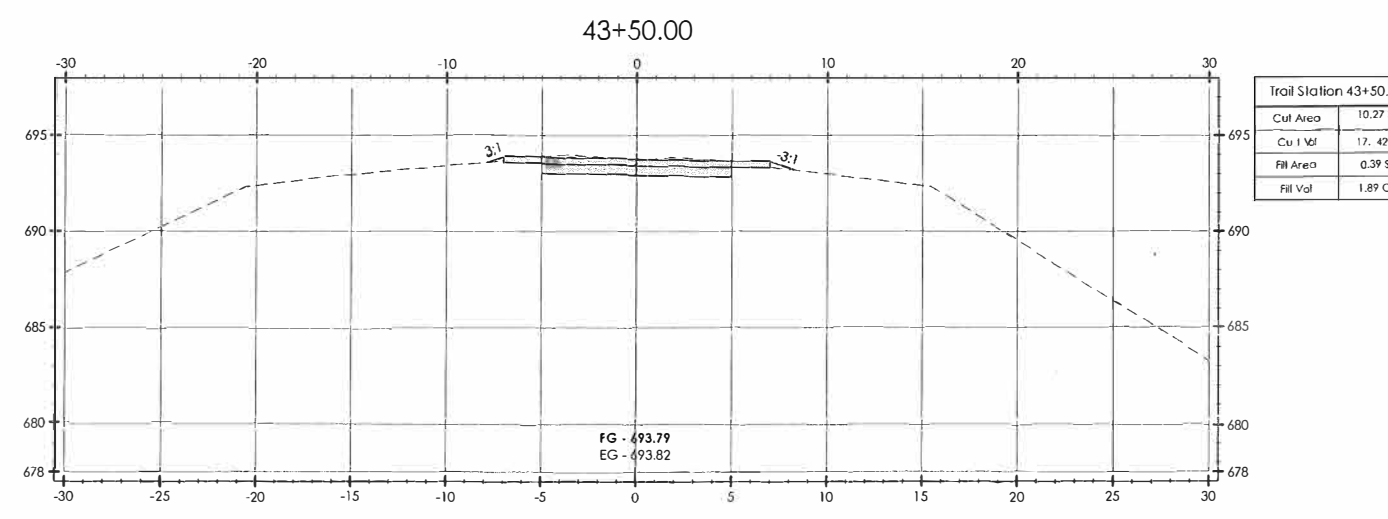
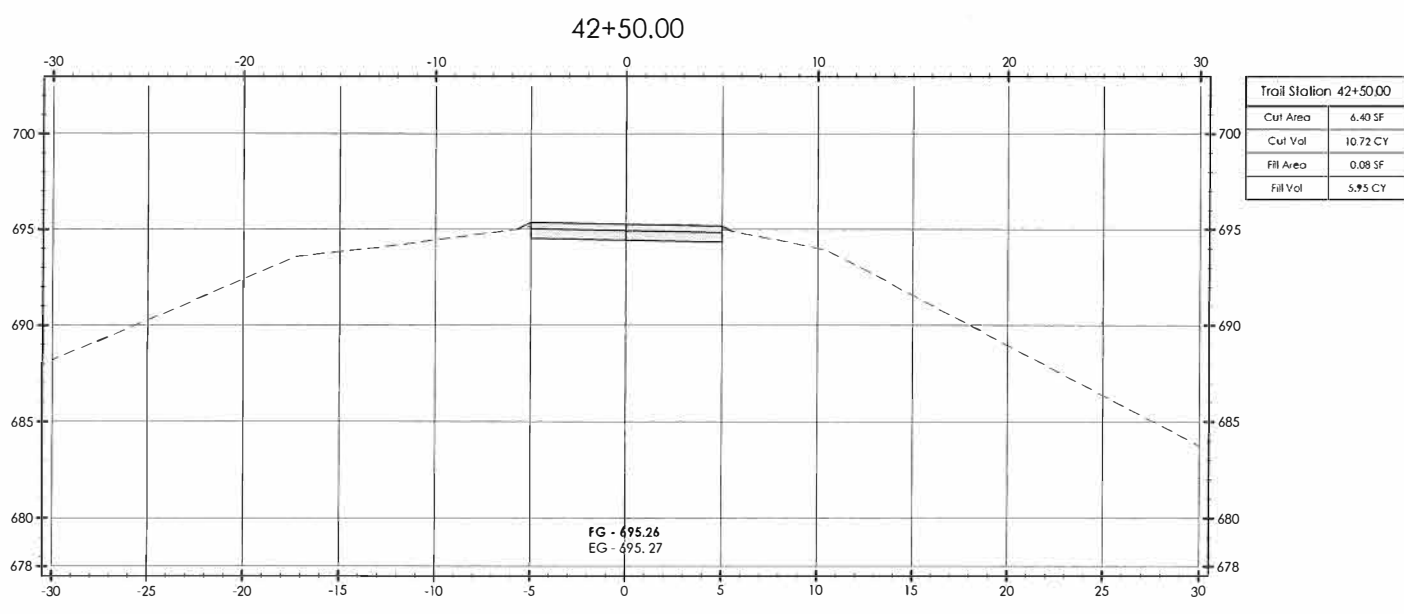
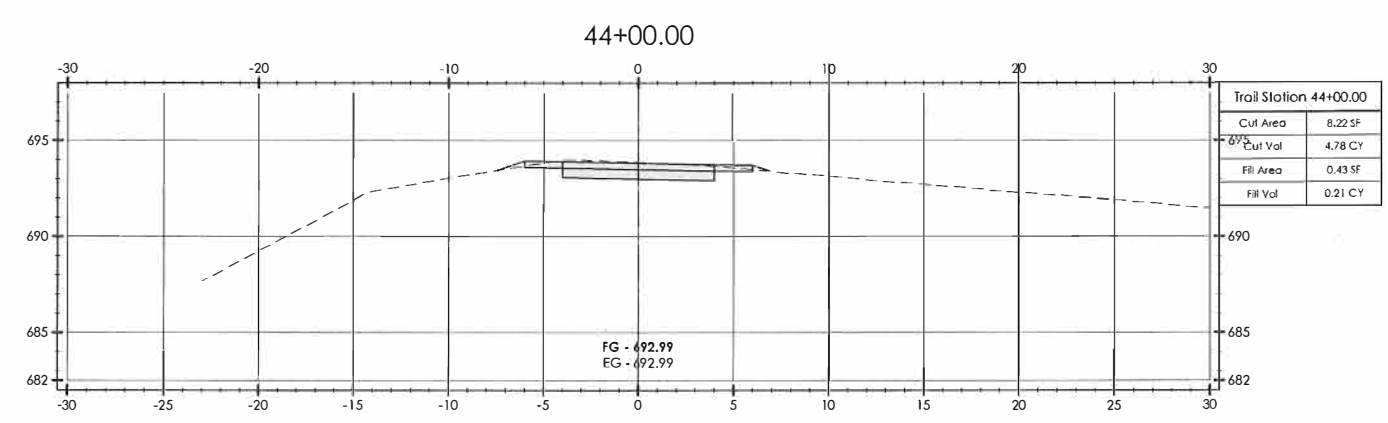
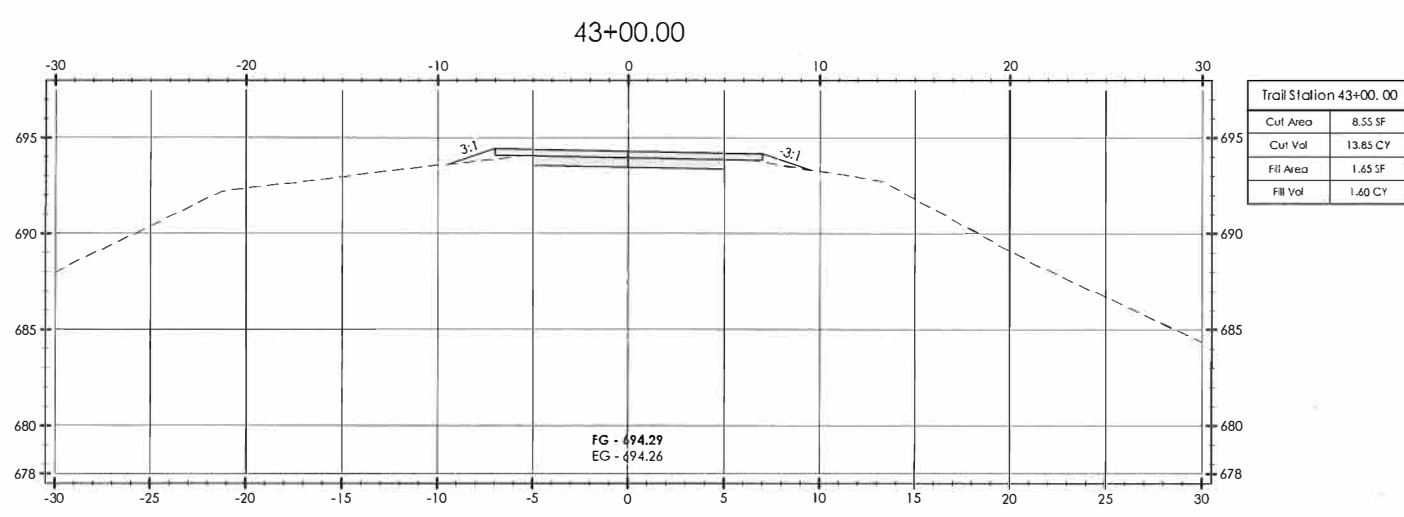
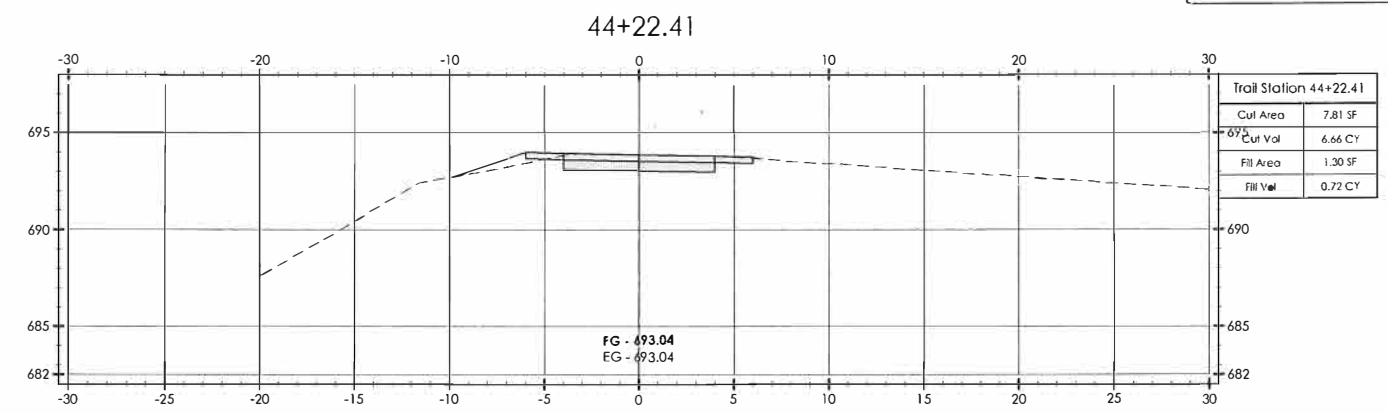
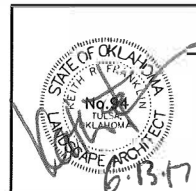


OKLAHOMA DEPARTMENT OF TRANSPORTATION					
FED. ROAD DIST. NO.	STATE	PROJ. NO.	FISCAL YEAR	SHEET NO.	TOTAL SHEETS
6	OKLA	28844(04)			
DESCRIPTION			REVISIONS	DATE	



F:\582 Sand Springs Park Road Trail\Final\Civil 3D - Base Files\ParkRoadTrail-BASE L-Final-R1.dwg, 6/12/2017 4:08:49 PM



City of Sand Springs - Park Road Trail		PREPARED BY LANDPLAN CONSULTANTS	Tulsa County
Design	JM 7/16		
Drawn	JM/BB 8/16		
Checked	KF/JM 6/17		
Approved			
Squad	Land Plan		

CROSS SECTIONS SHEET (15)
STATE JOB NO. 28844(04) Sheet No. 58 of 63